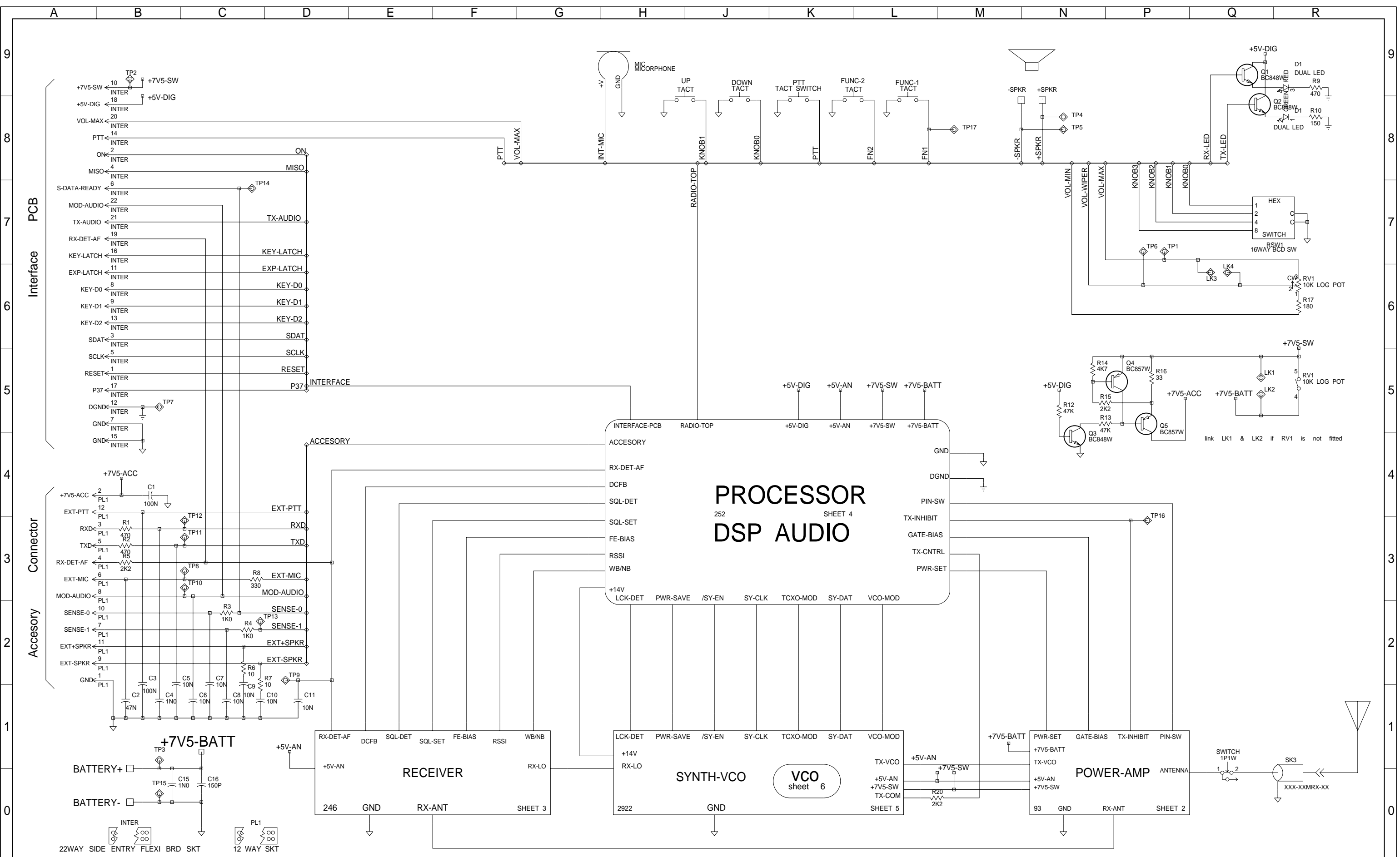


01A	NEW PA LINEUP (BC-S)	CJK			12/02/99
REV/ISS	AMENDMENTS	DRAWN	CHKD	D.O.	APVD DATE

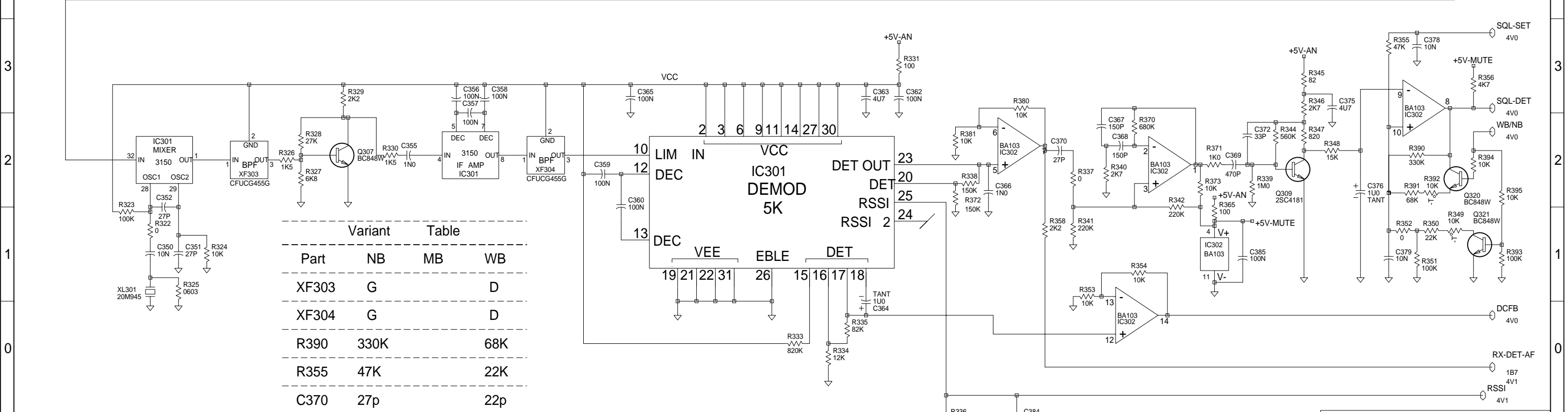
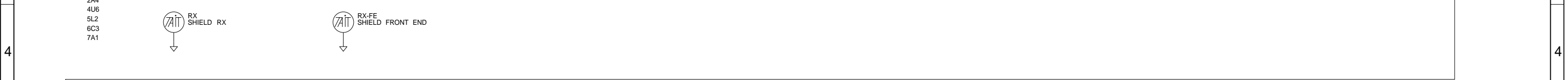
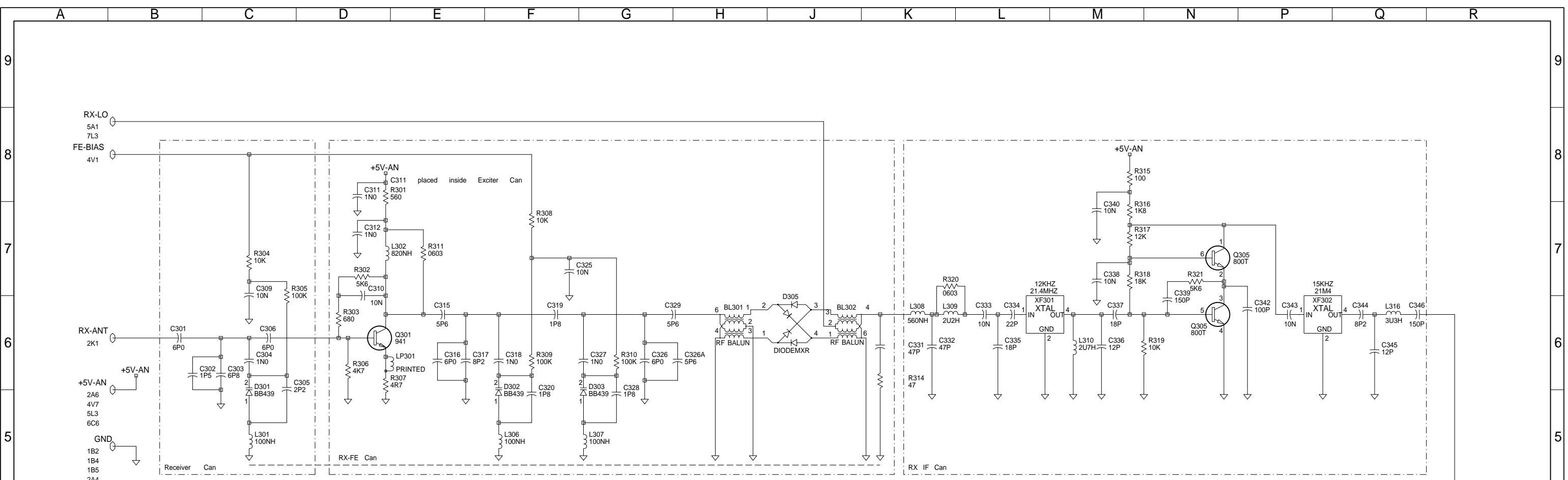
© TAIT ELECTRONICS  
 ORCA :TP010-3122 136-174MHZ  
 POWER AMPLIFIER  
 IPN: 220-01588-02 ISSUE: D ID: 2.S.C. 2  
 PROJECT: TAIT ORCA DESIGNER: BRD FILE NAME: 158802d FILE DATE: 16-Sep-99 NO.SHEETS: 7



REV/ISS	AMENDMENTS	DRAWN	CHKD	D.O.	APVD	DATE
02D	4 SPRING PINS NOW 356-01077-00 CCN 1588-003	TS				16-09-99
02B	PARTS ADDED TO SAVE POWER	BRD				11/06/99
02B	GEN-NEW PASTE SCREEN FOR DEK	BRD				02/06/99
02A	MINOR MOD TO CCT AND VALUES	SPICJK				25/05/99
01A	NEW PA LINEUP	BCS/CJK				12/02/99

**VHF**  
Tait Orca

© TAIT ELECTRONICS	
ORCA	:TP010-3122 136-174MHZ
SYSTEM DIAGRAM	
IPN: 220-01588-02	ISSUE: D
DESIGNER: TAIT ORCA	FILE NAME: BRD
DATE: 158802d	FILE DATE: 16-Sep-99
NO. SHEETS: 7	

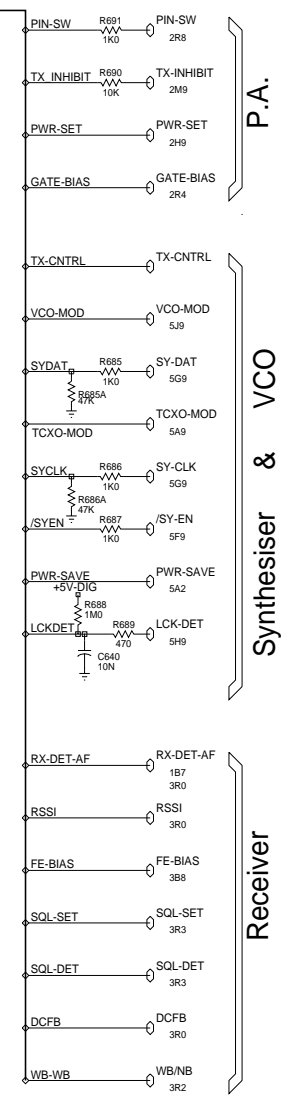
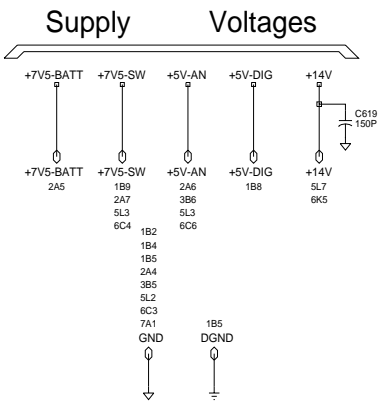
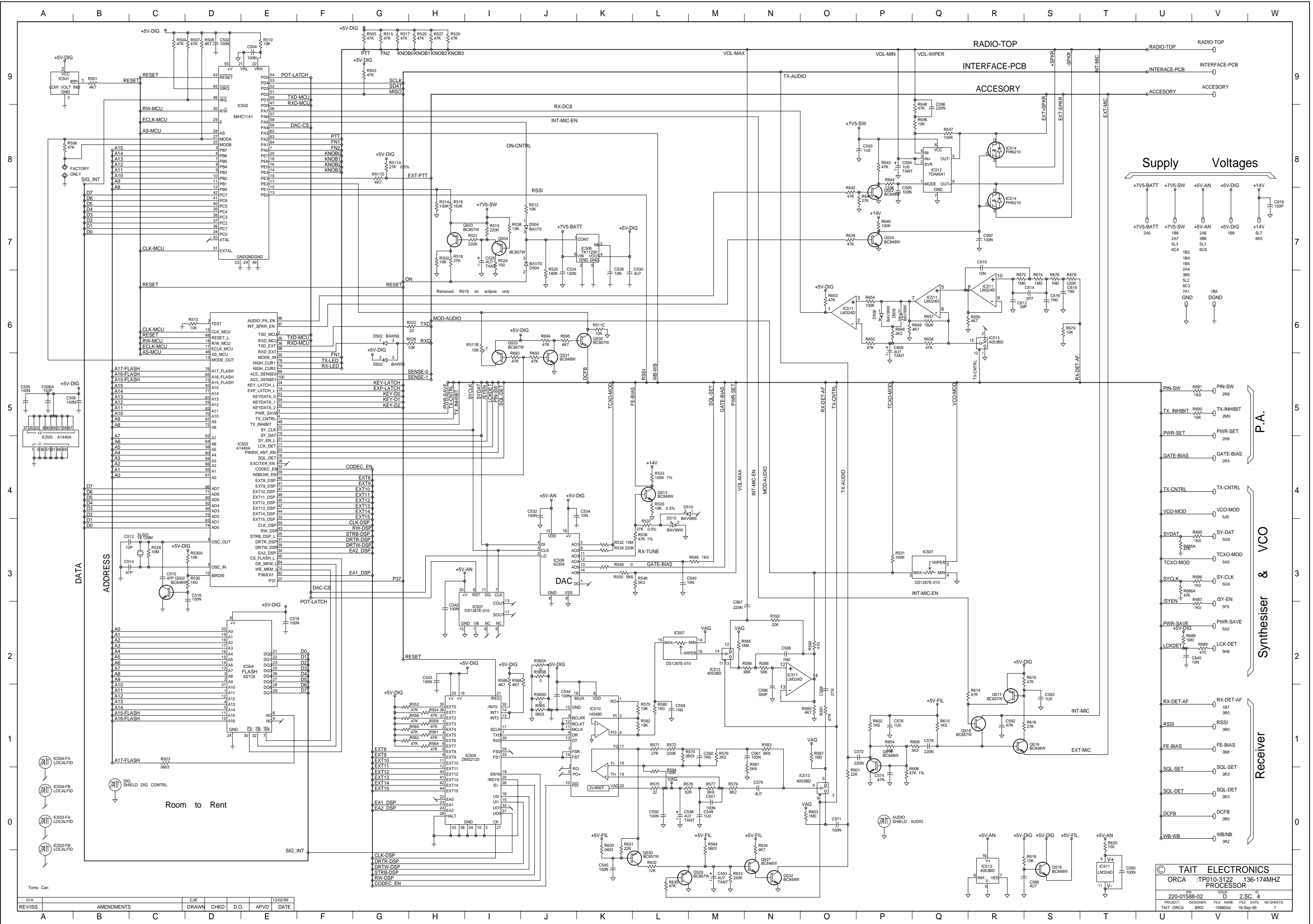


Variant Table

Part	NB	MB	WB
XF303	G		D
XF304	G		D
R390	330K		68K
R355	47K		22K
C370	27p		22p
C369	470p		330p

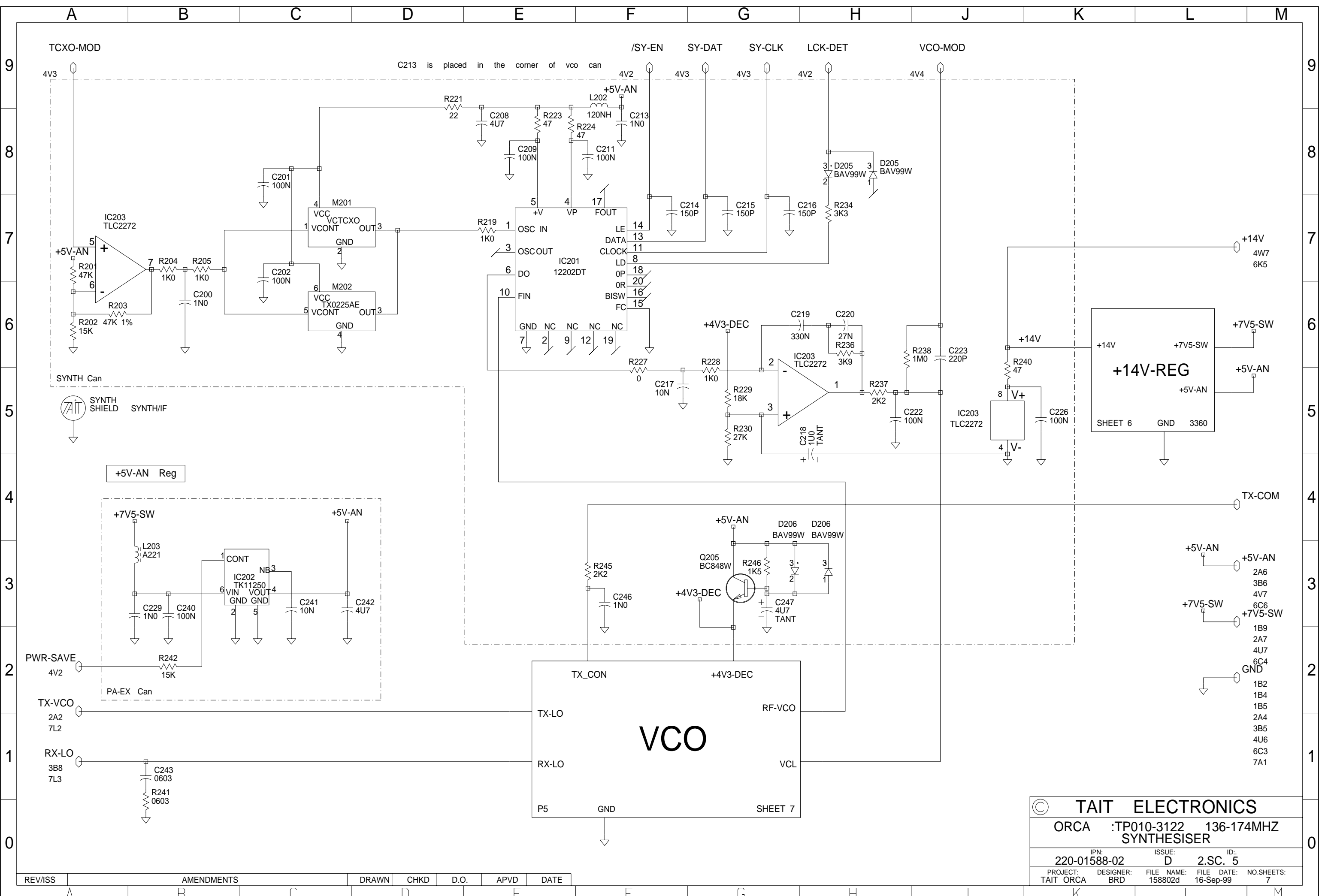
01A		CJK				12/02/99
REV/ISS	AMENDMENTS	DRAWN	CHKD	D.O.	APVD	DATE

TAIT ELECTRONICS  
 ORCA :TP010-3122 136-174MHZ RECEIVER  
 IPN: 220-01588-02 ISSUE: D 2.S.C. 3  
 PROJECT: TAIT ORCA BRD DESIGNER: FILE NAME: 158802d DATE: 16-Sep-99 NO.SHEETS: 7



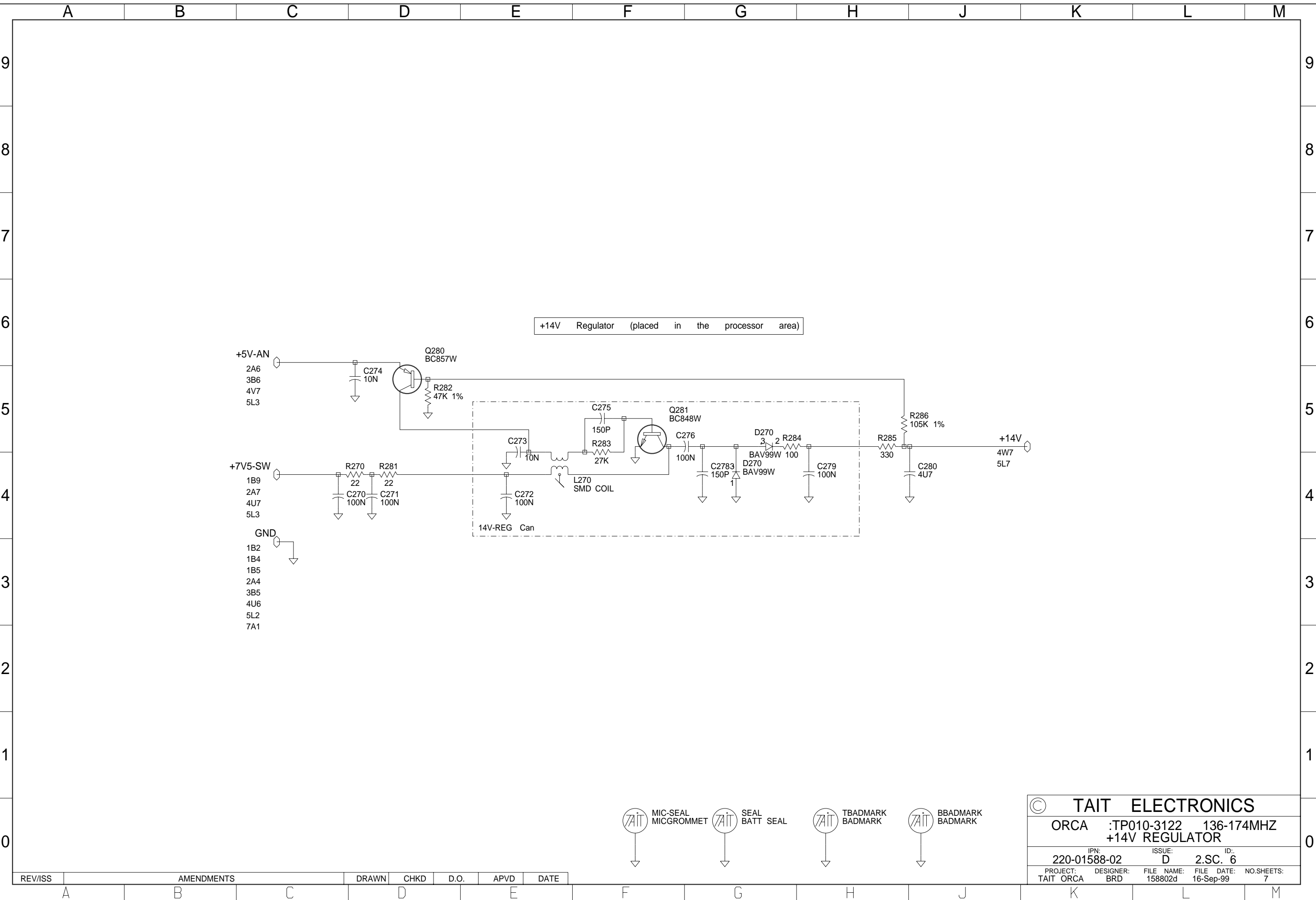
01A	AMENDMENTS	CJK	CHKD	D.O.	APVD	DATE
REV/ISS						12/02/99

© TAIT ELECTRONICS  
 ORCA :TP010-3122 136-174MHZ  
 PROCESSOR  
 220-01588-02 D 2-SC 4  
 PRODUCT DESIGNER FILE NAME FILE DATE NO SHEETS  
 TAIT ORCA BRD 1588022 16-Sep-99 7

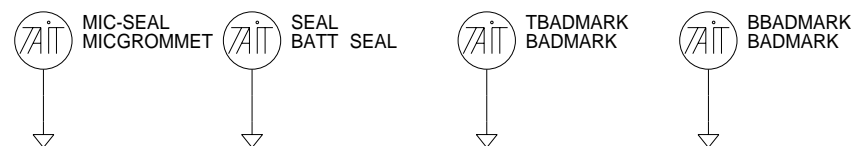
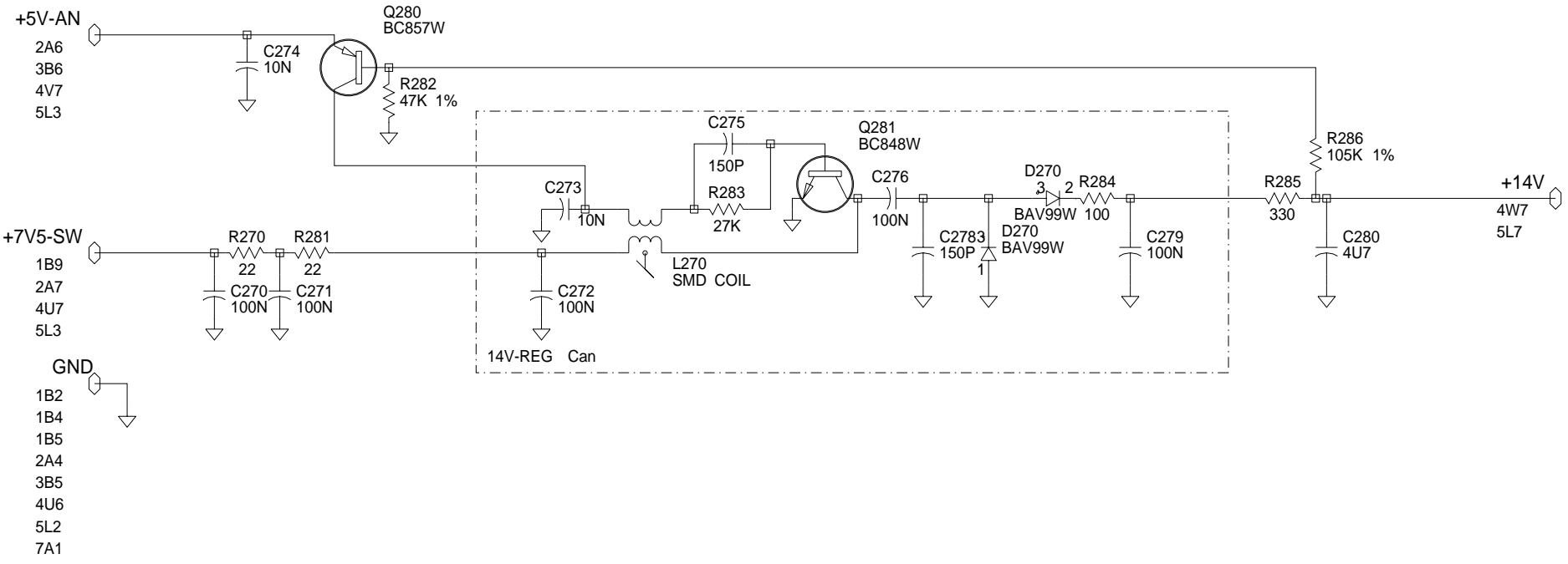


© TAIT ELECTRONICS  
 ORCA :TP010-3122 136-174MHZ SYNTHESISER  
 IPN: 220-01588-02 ISSUE: D ID: 2.SC. 5  
 PROJECT: TAIT ORCA DESIGNER: BRD FILE NAME: 158802d FILE DATE: 16-Sep-99 NO.SHEETS: 7

REV/ISS	AMENDMENTS	DRAWN	CHKD	D.O.	APVD	DATE



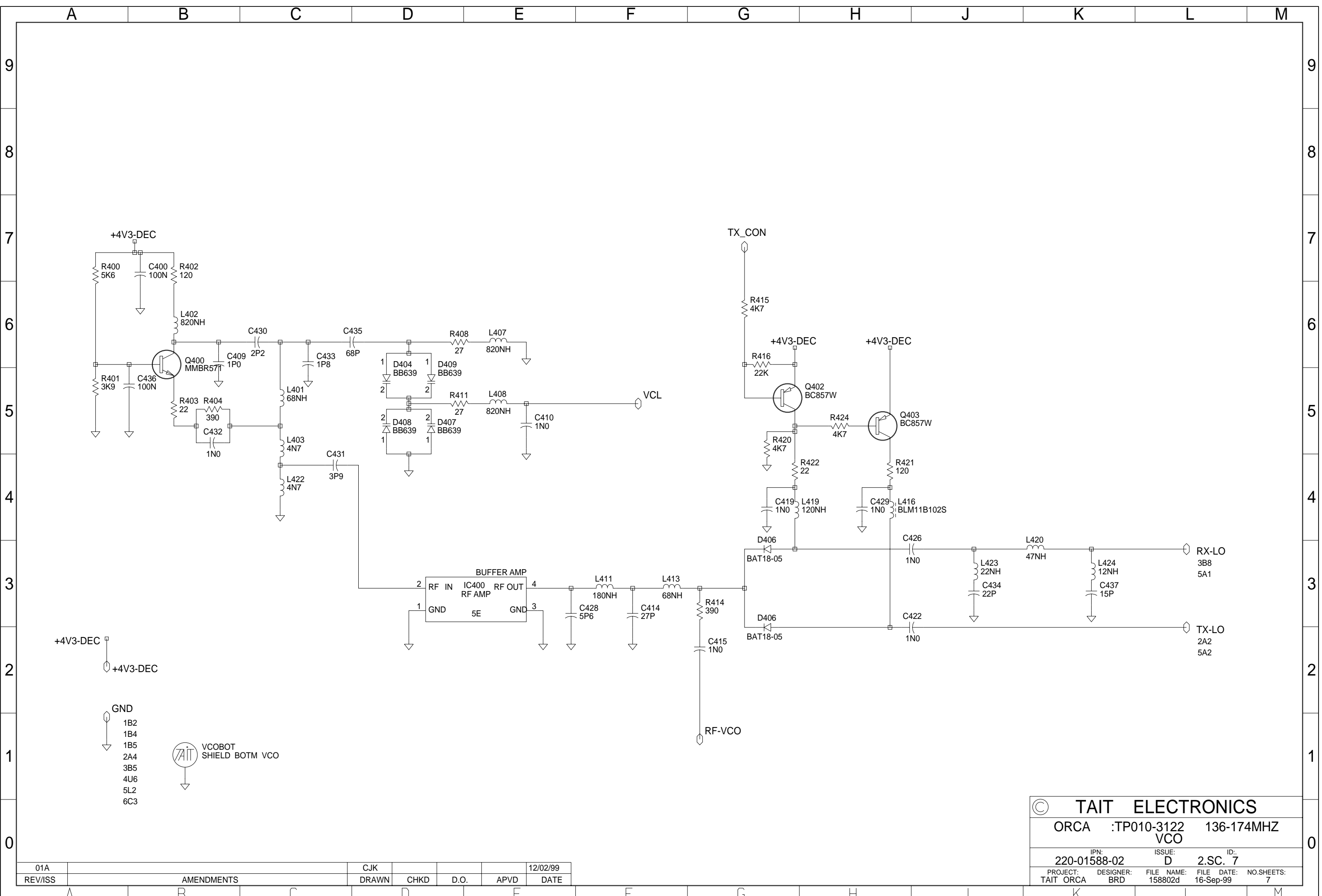
+14V Regulator (placed in the processor area)



© TAIT ELECTRONICS				
ORCA		:TP010-3122	136-174MHZ	
+14V REGULATOR				
IPN:		ISSUE:		ID:
220-01588-02		D		2.SC. 6
PROJECT:	DESIGNER:	FILE NAME:	FILE DATE:	NO.SHEETS:
TAIT ORCA	BRD	158802d	16-Sep-99	7

REV/ISS	AMENDMENTS	DRAWN	CHKD	D.O.	APVD	DATE
---------	------------	-------	------	------	------	------

A B C D E F G H J K L M



01A		CJK				12/02/99
REV/ISS	AMENDMENTS	DRAWN	CHKD	D.O.	APVD	DATE

© TAIT ELECTRONICS  
 ORCA :TP010-3122 136-174MHZ VCO  
 IPN: 220-01588-02 ISSUE: D ID: 2.SC. 7  
 PROJECT: TAIT ORCA DESIGNER: BRD FILE NAME: 158802d FILE DATE: 16-Sep-99 NO.SHEETS: 7